

DIMMER 2 CHANNEL

Through this device it is possible to adjust the luminous brightness

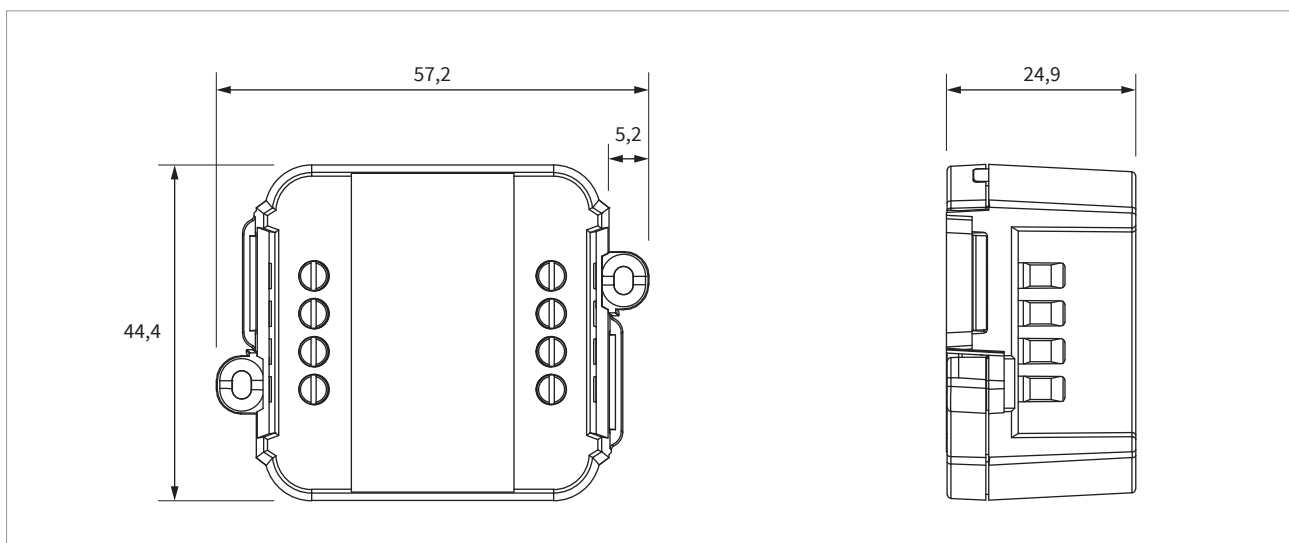
Technical Specification

	Constant Voltage
Channels	2
Supply voltage	DC min 12 Vdc .. max 24 Vdc
Input current	max 10 A
Output voltage	= Vin
Output current	max 10 A total
Nominal Power <small>Maximum value, depends on the ventilation conditions.</small>	@12V: 120 W max @24V: 240 W max
D-PWM dimming frequency	125 Hz
D-PWM resolution	1000 step
Operating frequencies	2,400...2,483 GHz
Maximum output power	4dBm (60 mt open air)
Storage temperature	min: -40 max: +60°C
Ambient temperature	min: -10 max: +40°C
Protection grade	IP20 (indoor use only)
Wiring	0,2 - 0,75 mm ² (24 to 18 AWG)
Dimension	57,2x44,4x24,9 mm

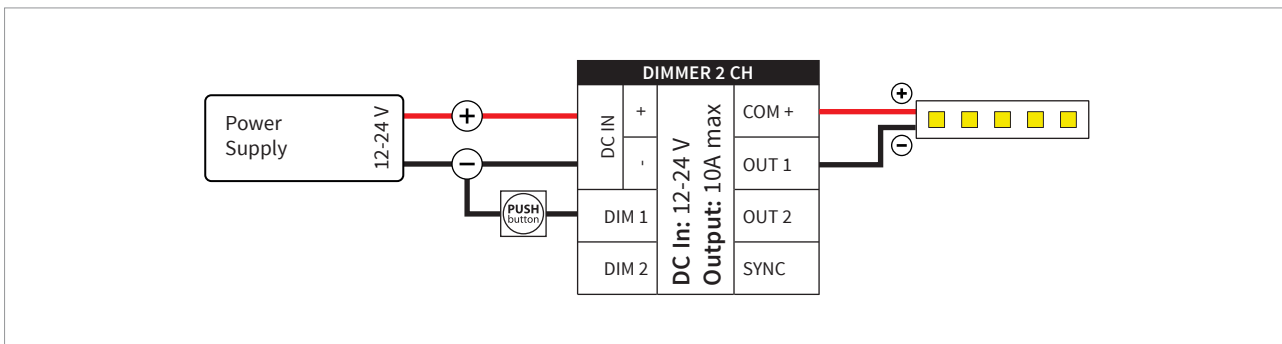


RoHS **CE**

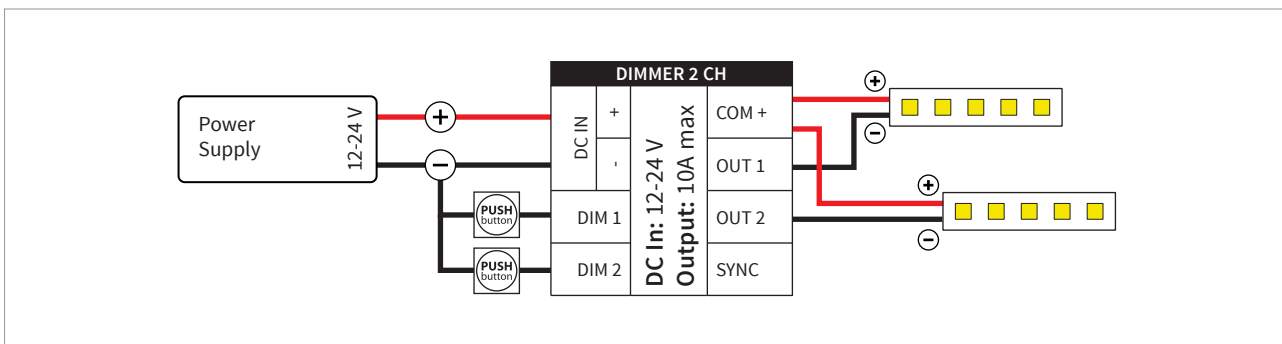
Dimension - Full scale 1:1



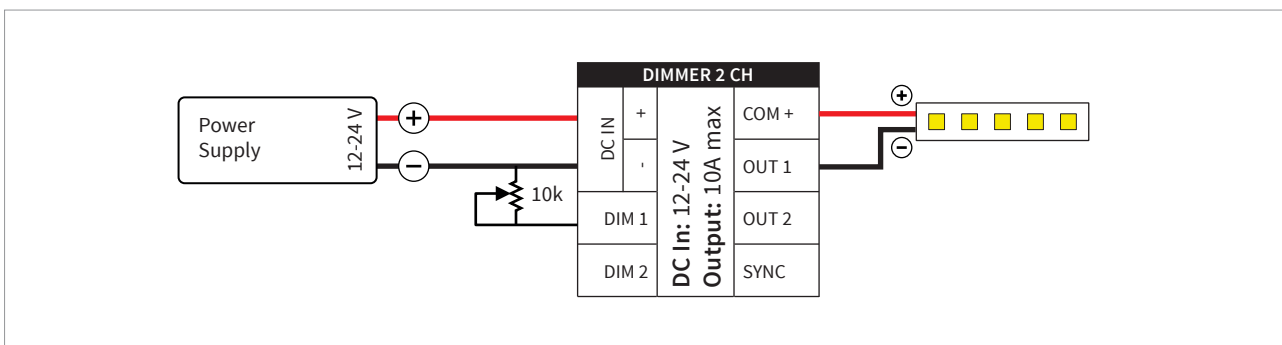
Dimming: PUSH BUTTON (1 CHANNEL)



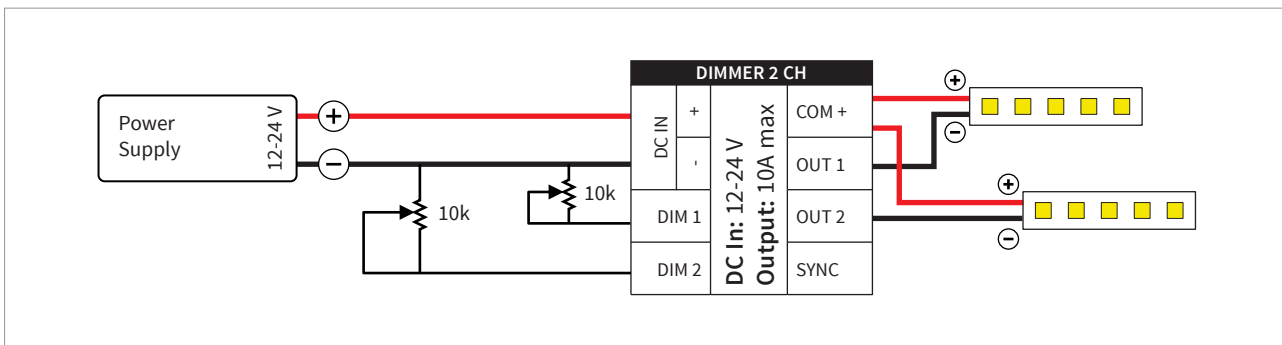
Dimming: PUSH BUTTON (2 CHANNEL)



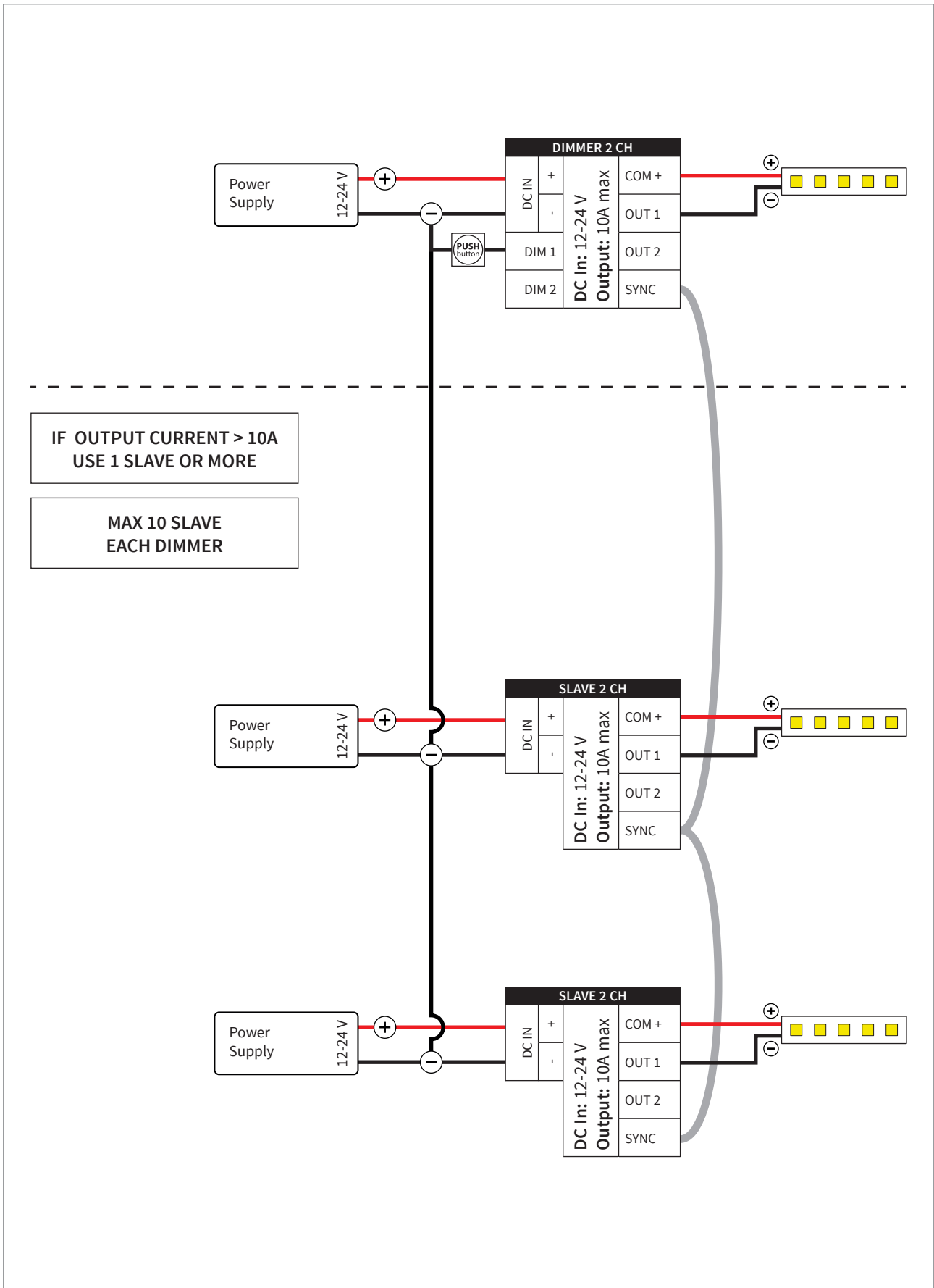
Dimming: 0-10 V (1 CHANNEL)



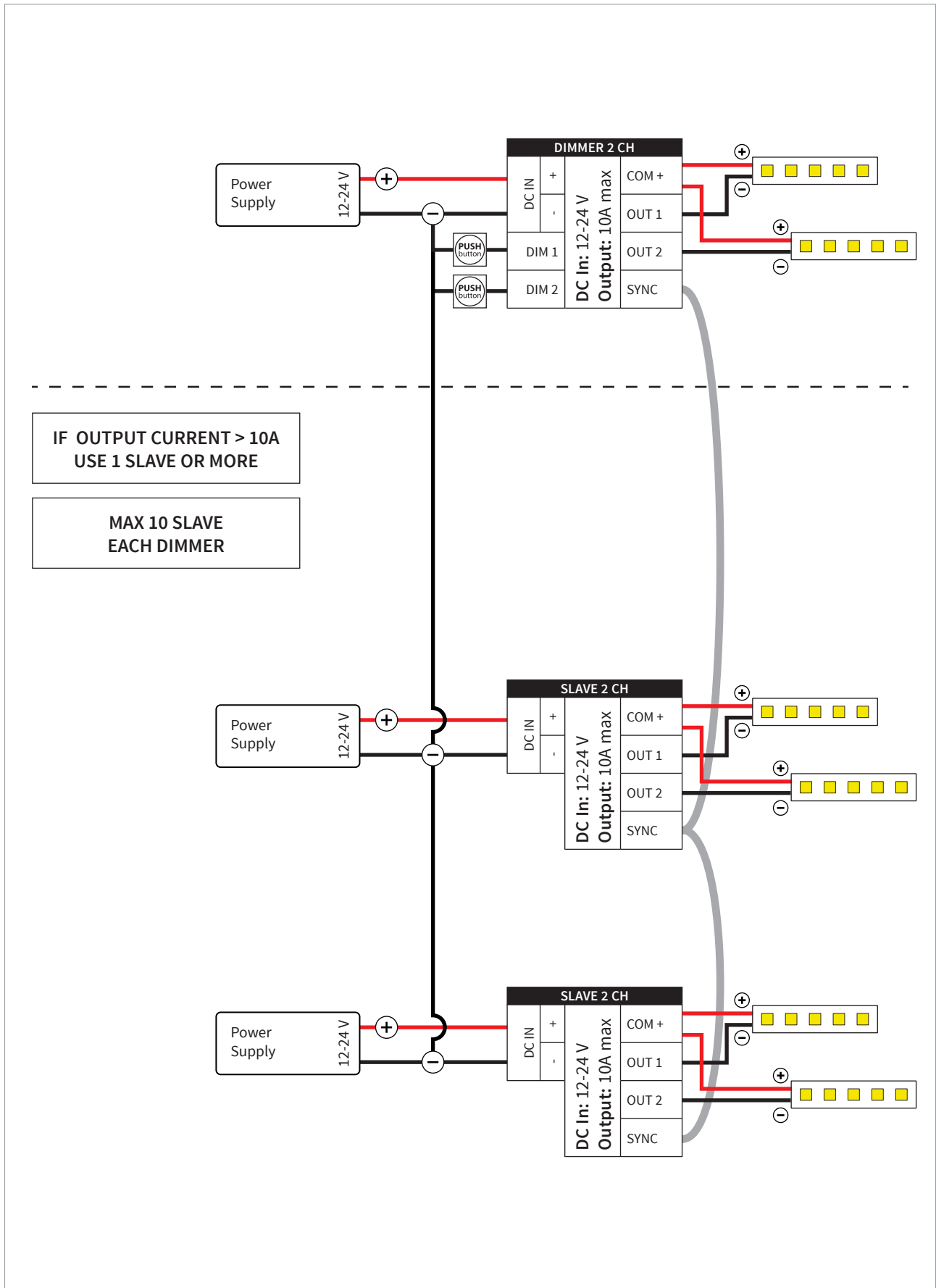
Dimming: 0-10 V (2 CHANNEL)



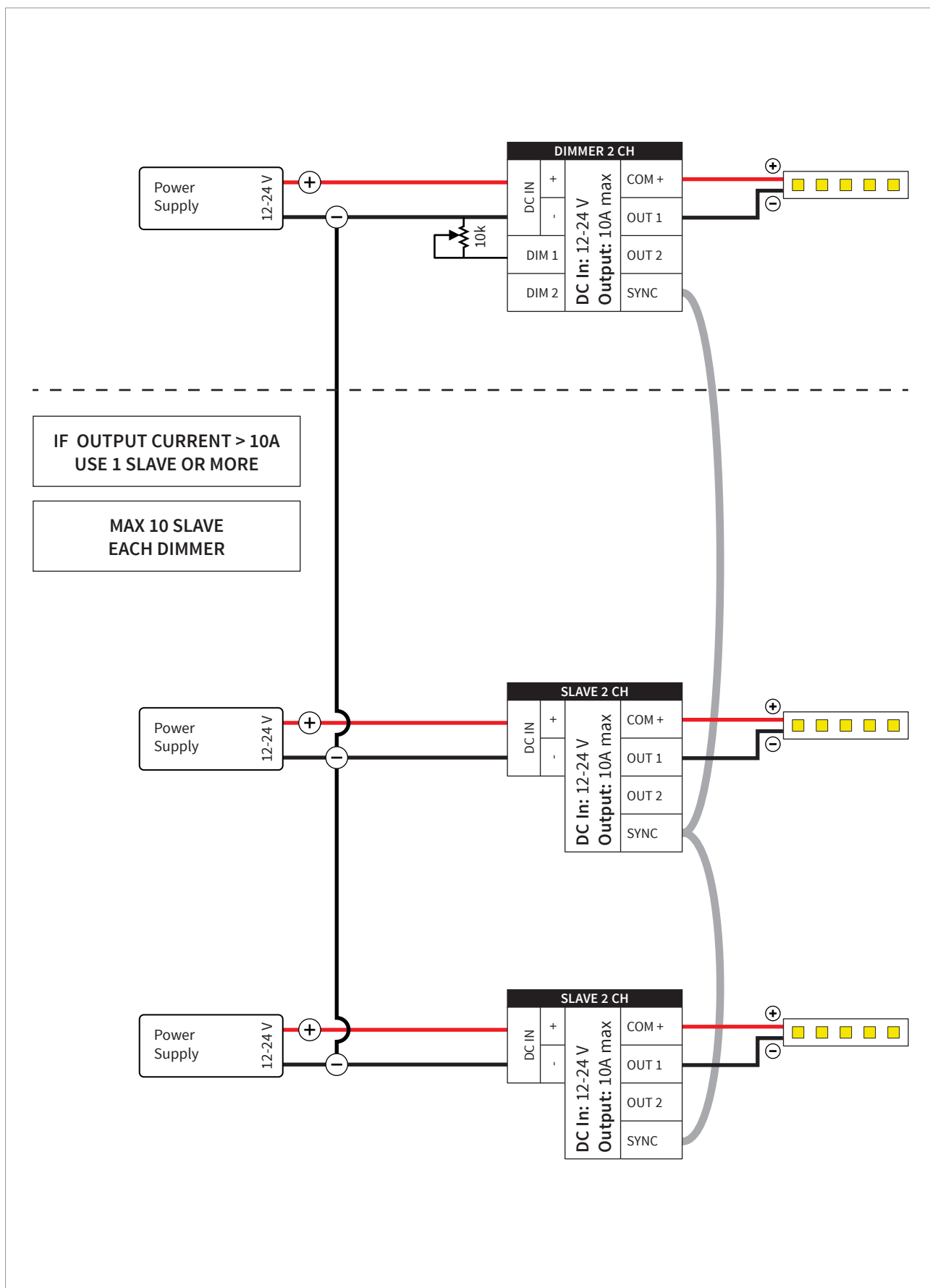
Dimming: DIMMER 2CH + SLAVE (PUSH BUTTON / 1 CHANNEL)



Dimming: DIMMER 2CH + SLAVE (PUSH BUTTON / 2 CHANNEL)



Dimming: DIMMER 2CH + SLAVE (0-10 V / 1 CHANNEL)



Dimming: DIMMER 2CH + SLAVE (0-10 V / 2 CHANNEL)

